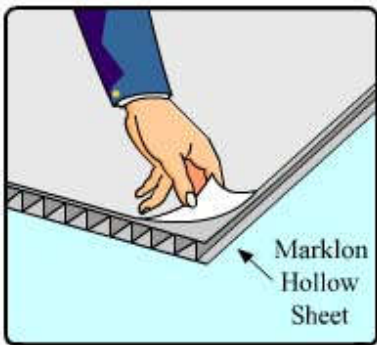
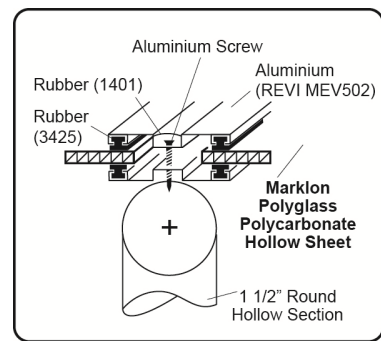
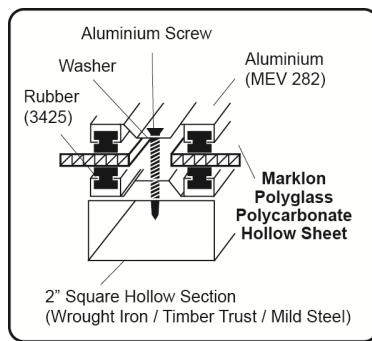
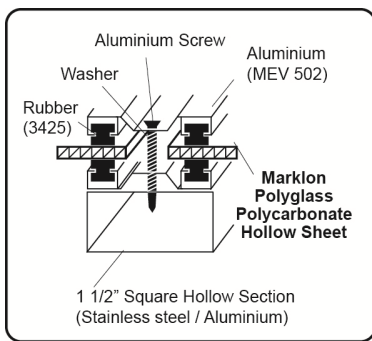


RECOMMENDED INSTALLATION METHOD

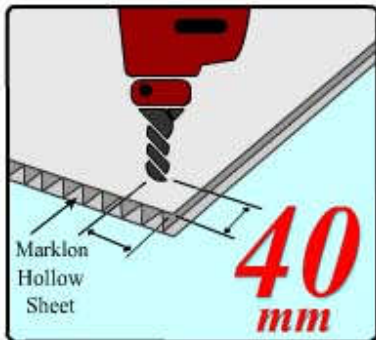


Marklon Polyglass® Polycarbonate Hollow Sheet's is produced with a protective PE film both sides which should be kept on until the panel is fastened. The UV protected side is to be faced towards the sun and is marked with printed film (Marklon Polyglass® PC Hollow Sheet). Remove all protective film immediately after installation.

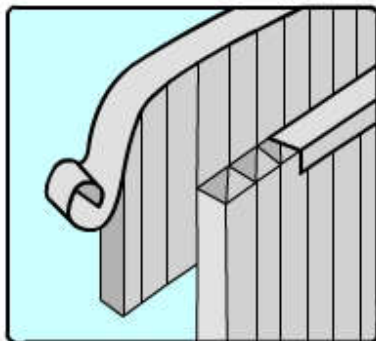


Make sure the support structure is clean and dry. Do not directly screw the sheet, only use aluminium clapping for joining. Must leave a gap of at least 5mm in between sheets for thermal expansion and contraction.

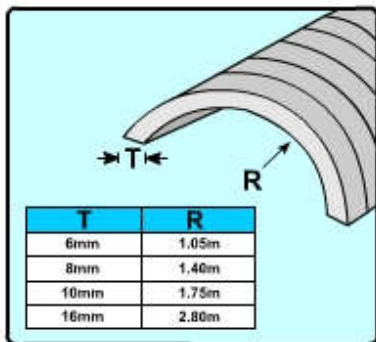
MARKLON POLYGLASS® POLYCARBONATE HOLLOW SHEET



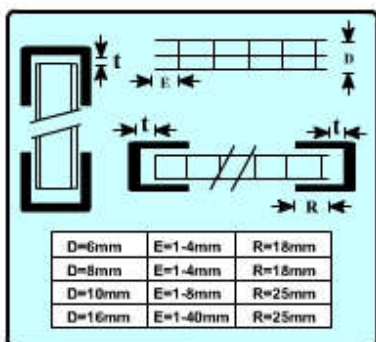
DRILLING : Use only new or sharply ground steel or carbide tipped drills. All holes must be drilled at least 40mm from the edge of sheet.



END CLOSURE : Sheets must always be installed with ribs in vertical inclination. Close upper/lower ends with suitable tape and / or a U profile.



BENDING : Radius of bending curve should not exceed the figure indicated in the diagram.



THERMAL EXPANSION – EDGE ENGAGEMENT : Sheets will expand on exposure to heat. An expansion space of 3mm/M should be allowed for each dimension as illustrated (t). The appropriate edge engagement (R) is determined by the distance of an open end from the last rib (E) according to the sheet.

IMPORTANT GUIDELINES

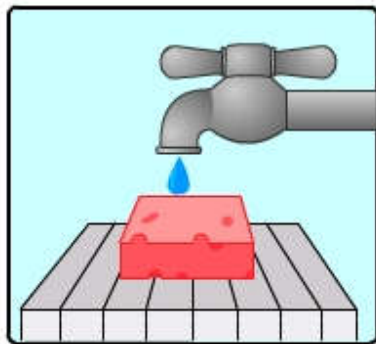
For maintenance and storage guidelines

i) Storage Method



STORAGE : Sheets should be kept indoor, protected from sunlight and rain fall by an appropriate opaque waterproof roof cover. Sheets should be laid flat on the floor (do not get contact with cement floor/wall) and away from chemical contact.

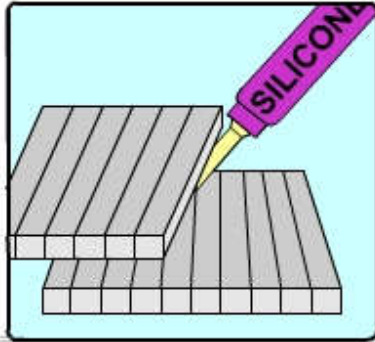
ii) Cleaning Method



CLEAN : Use only neutral detergent or mild soap for cleaning. Wash by using soft cloth or sponge . Rinse sheet with lukewarm water (below 60°C)

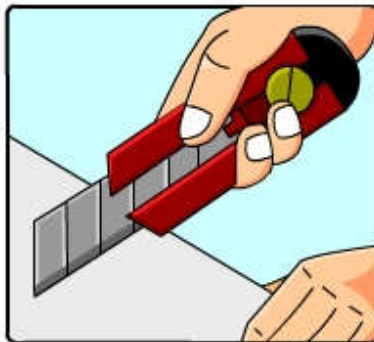
MARKLON POLYGLASS® POLYCARBONATE HOLLOW SHEET

iii) Sealant



SILICONE : Use only neutral silicone for polycarbonate.

iv) Cutting Method



CUTTING : Use blade for cutting Marklon Polyglass® Polycarbonate Hollow Sheet.