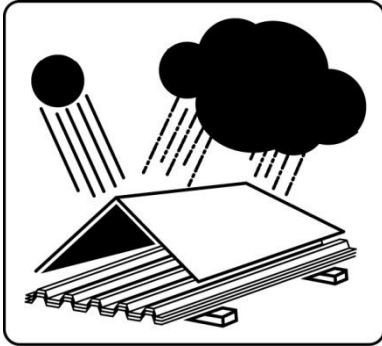
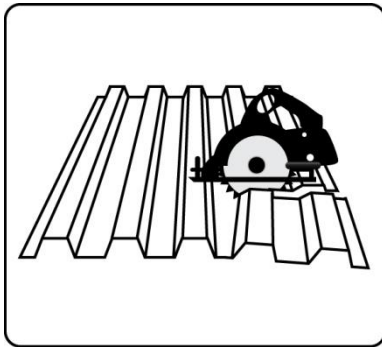


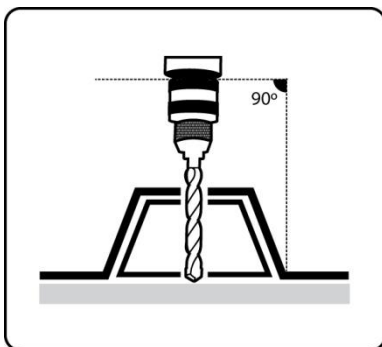
## Recommended Installation Method



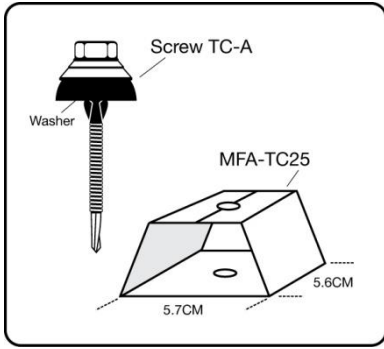
**STORAGE:** Sheets stored outdoors should be protected from sunlight and rain by an appropriate opaque waterproof cover, and away from chemical contact.



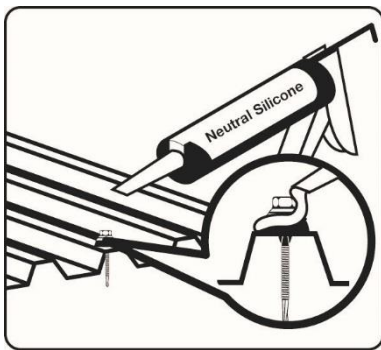
**CUTTING METHOD:** Using circular saw blade



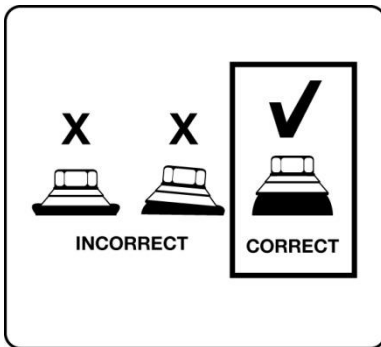
Drilling is done using a power drill with regular high-speed steel bits intended for metal, rotating. Keep all cutting and drilling areas clean. Blow away saw dust and drilling debris with compressed air.



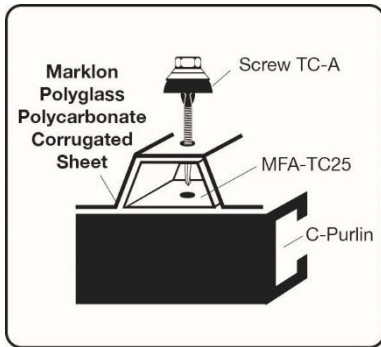
The above mentioned accessories are available to simplify the installation of corrugated polycarbonate sheeting.



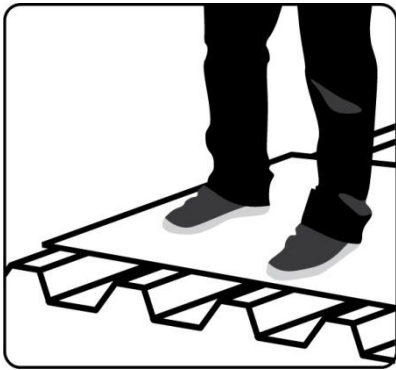
Neutral silicone apply on Marklon Polyglass Polycarbonate Corrugated Sheet.



DO NOT Over-tighten fasteners causing the rubber washer to compress. Tighten all fasteners until they are "snug." If the neoprene or EPDM washer becomes deformed, the fastener is too tight. Drive fasteners perpendicular to the sheet face. Tighten moderately by hand or with an adjustable torque power screwdriver. Never use an impact wrench / driver for fastening sheet



Place the MFA-TC25A Angular spacer onto structure (C-purlin) then use screw TC-A drilling into Marklon Polyglass Polycarbonate Corrugated Sheets.



Use ladders, crawling boards and other safety equipment required for safe installation. Use all safety measures required according to local safety regulations. Don't step on installed panels between support members for fear of falling. Rather, use a sturdy board adequate to support your weight and long enough to span at least three structural members. Never leave corrugated sheet unattended on the roof until all the required fasteners have been appropriately installed or the panels secured to the supporting structure.